

◆ A T E L I E R **FORTVNY** V E N E Z I A ◆

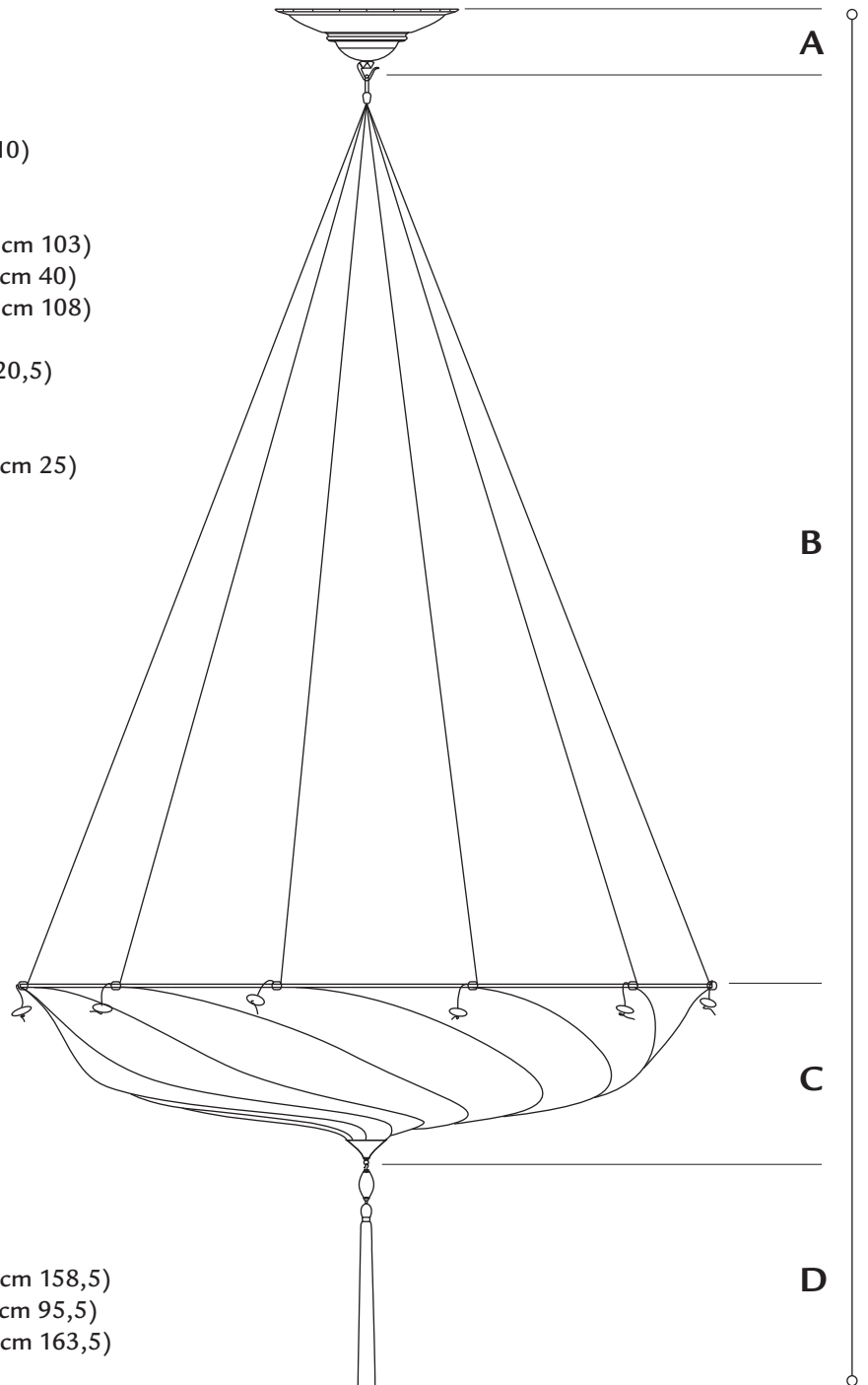
produced & distributed by Venetia Studium S.r.l. San Marco, 2425 . 30124 Venezia - Italy p+39 041 5236953 . info@fortuny.it
www.fortuny.it

FORTVNY SCUDO SARACENO

silk . large size \varnothing 30 7/8 in. (cm 78,5)

art. 079 SA - 1

- A. ceiling attachment** 4 in. (cm 10)
(hook included)
- B. string's standard length** 40 1/2 in. (cm 103)
minimum 15 3/4 in. (cm 40)
maximum 42 1/2 in. (cm 108)
- C. shade** 8 in. (cm 20,5)
(metal tip included)
- D. tassel** 9 7/8 in. (cm 25)



- standard overall height** 62 3/8 in. (cm 158,5)
minimum 37 5/8 in. (cm 95,5)
maximum 64 3/8 in. (cm 163,5)

weight lb.4 oz.7 (2 kg)

suggested wattage 1 x max 75W

voltage 110/120V: E26 socket . 220/240V: E27 socket

◆ A T E L I E R **FORTVNY** V E N E Z I A ◆

produced & distributed by Venetia Studium S.r.l. San Marco, 2425 . 30124 Venezia - Italy p+39 041 5236953 . info@fortuny.it
www.fortuny.it

FORTVNY SCUDO SARACENO

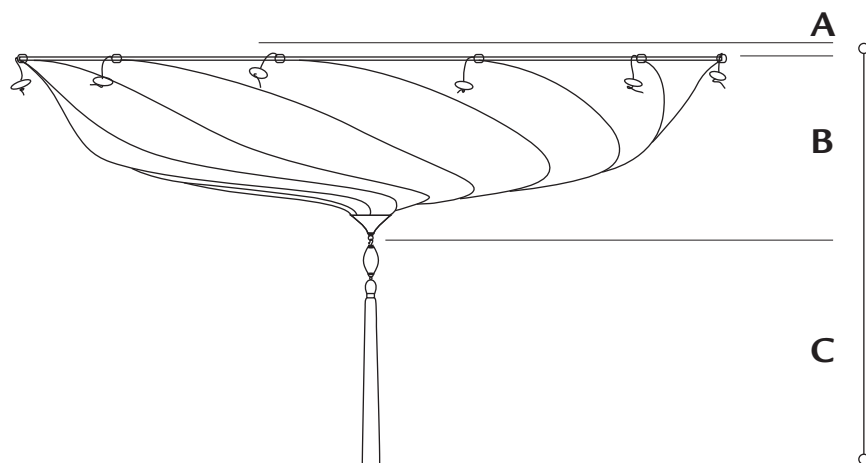
silk . large size ø 30 7/8 in. (cm 78,5)

art. 079 SA - 2

A. ceiling attachment 1 3/4 in. (cm 4,5)

C. shade 8 in. (cm 20,5)
(metal tip included)

D. tassel 9 7/8 in. (cm 25)



standard overall height 19 3/4 in. (cm 50)

weight lb.5 oz.8 (2,5 kg)

suggested wattage 3 x max 60W

voltage 110/120V: E12 socket . 220/240V: E14 socket